

SB1 ShowerBuddy

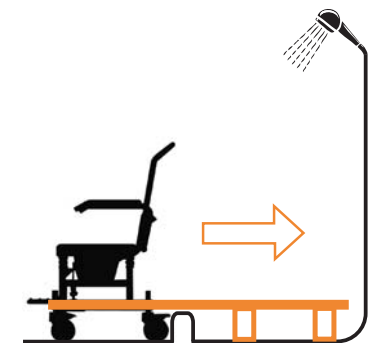
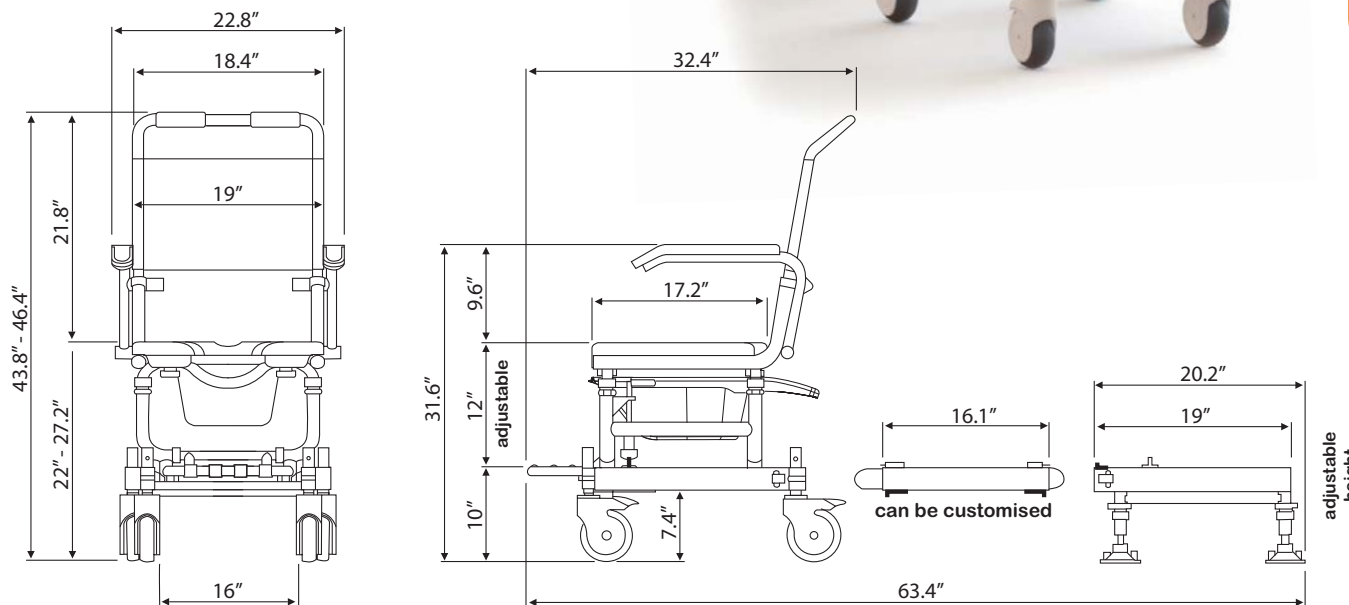
For transfers to standard showers

The ShowerBuddy SB1 shower transfer system will turn your existing bathroom into an accessible bathroom that allows you to enjoy showering again without the excessive cost, delays and stress of a full bathroom remodel. With only one transfer, you can once again enjoy a shower in your own bathroom.

The ShowerBuddy SB1 alleviates heavy lifting for family members and caregivers by eliminating multiple transfers during toileting and showering. This unique internationally patented shower transfer system allows the user to toilet and shower in one easy trip.



SB1 transfers into a standard shower that is not accessible



SB1 ShowerBuddy

For transfers to standard showers



Product features:

- Weight capacity – 160kg (350lb)
- Rolls over most standard toilets
- Low maintenance
- Arms - removable / lockable / flip-back
- Height adjustable
- Safety mechanisms
- Corrosion resistant Aluminum frame (Grade 6061 T6)
- Stainless steel parts and hardware (Grade 304)
- Rotates 360 degrees inside shower (subject to space)
- Footrest - fold-up
- Safety belts - lap & chest belts
- Caster Wheels – 125mm (5") x 4 locking
- Commode system
- Tool-free assembly
- Full details see page 31-36

Accessory items: Refer to the accessory pages or on our website

Product Dimensions:

- Rolling Base 467mm W x 560mm D (18.4" x 22")
- Rolling Base including Footrest 467mm W x 675mm D (18.4" x 26.5")
- Width – over arms 570mm (22.5")
- Width – Inside Arms 475mm (18.7") - smaller users see accessory pages
- Width - Inside Main legs 380mm (14.9")
- Back Width 460mm (18")
- Back Rest Height from Cushion 440mm (17")
- Toilet Height Clearance (maximum) 590mm (23.2")
- Toilet clearance can depend upon the shape of the toilet pan
- Bridge Length (Standard) 405mm (16") (or Customized)
- Seat Cushion Dimensions 450 W x 420mm D (17.7" x 16.5")
- Seat Cushion Height from Floor 550mm to 680mm (Adjustable) (21.5" – 26.7" – Adjustable)
- Seat Cushion Opening 175mm W x 335mm L (6.8" x 13")
- Shower Base (Over Suction Cup Feet) 490mm x 490mm (19.2" x 19.2")

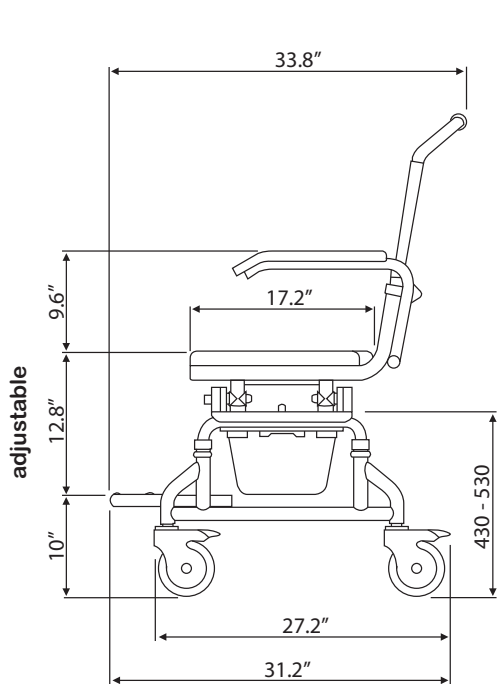
SB2 TubBuddy

For transfers over bathtubs

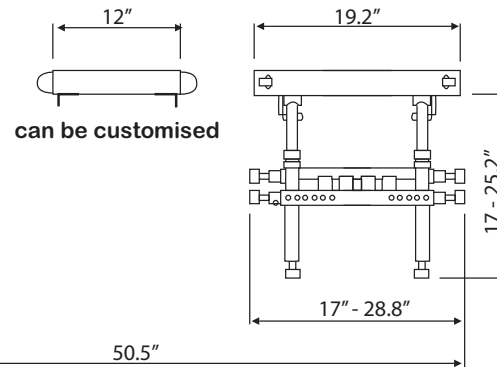
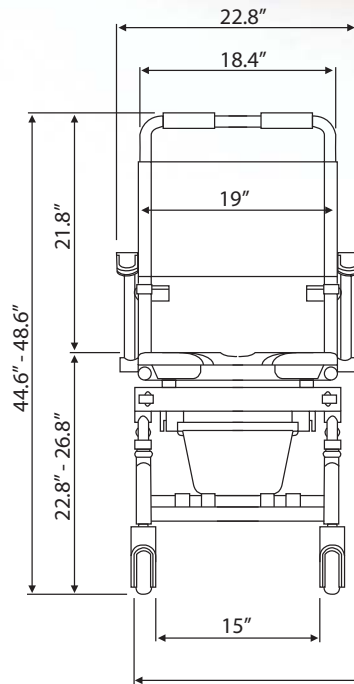
The SB2 bath transfer system from Showerbuddy is designed to allow a user to be safely transferred by a caregiver over a bathtub to shower without costly bathroom remodeling. The SB2 TubBuddy eliminates unnecessary transfers between toileting and bathing making it comfortable for both user and caregiver, while reducing costs and contributing to good user hygiene.



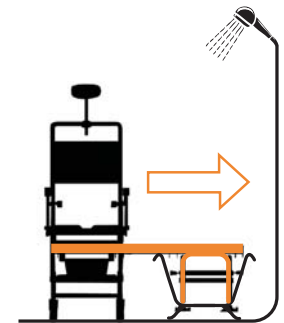
SB2 transfers over a bathtub to shower



For non standard height bathtub refer to accessories RBE24 or TBE24



can be customised



SB2 TubBuddy

For transfers over bathtubs



Product features:

- Weight capacity - 160kg (350lb)
- Rolls over most standard toilets
- Low maintenance
- Arms - removable / lockable / flip-back
- Height adjustable
- Safety mechanisms & side stabilizers on bath base
- Corrosion resistant Aluminum frame (Grade 6061 T6)
- Stainless steel parts and hardware (Grade 304)
- Footrest - fold-up foot rest on rolling base and on bath base
- Safety belts - lap & chest belts
- Caster Wheels - 125mm (5") x 4 locking
- Commode system
- Tool-free assembly
- Full details see page 31-36

Product Dimensions:

- Rolling Base 490mm W x 680mm D (19.3" x 26.7")
- Rolling Base including Footrest 490mm W x 780mm D (19.3" x 30.7")
- Width – over arms 570mm (22.5")
- Width – Inside Arms 475mm (18.7") - smaller users see accessory pages
- Width - Inside Main legs 400mm (15.7")
- Back Width 460mm (18")
- Back Rest Height from Cushion 440mm (17")
- Toilet Height Clearance (maximum) 495mm (19.4")
- Toilet clearance can depend upon the shape of the toilet pan
- Bridge Length (Standard) 300mm (11.8") (or Customized)
- Seat Cushion Dimensions 450mm W x 420mm D (17.7" x 16.5")
- Seat Cushion Height from Floor 570mm to 670mm (Adjustable) (22.4" – 26.4" Adjustable)
- Seat Cushion Opening 175mm W x 335mm L (6.8" x 13")
- Tub Base (at top) 330mm L x 480mm W (13" x 19")
- Tub Base (at bottom of legs) 465mm L x 335mm W (18.3" x 13.2")
- Tub Base (side stabilizers) 425mm W – 720mm W (16.7" – 28.3")

Accessory items: Refer to the accessory pages or on our website

SB2T TubBuddy Tilt

For transfers over bathtubs

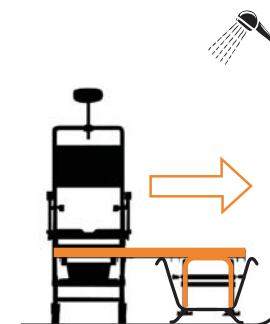
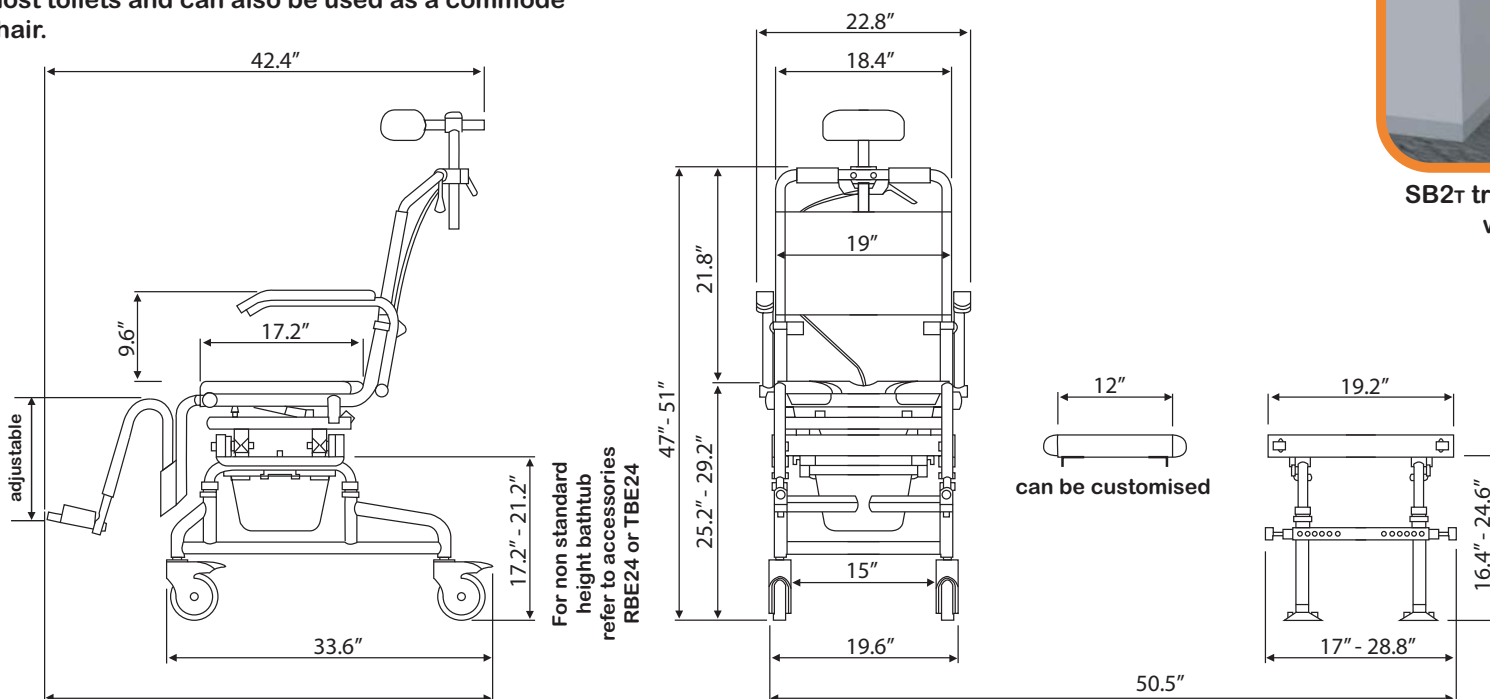
The SB2T bath transfer system from Showerbuddy is also designed to allow a user to be safely transferred by a caregiver over the bathtub, but with the addition of a tilt. The SB2T offers a significant reduction in costs, no need for costly bathroom remodeling.

While eliminating unnecessary transfers, the SB2T with a tilt function allows for pressure relief and alleviates caregiver strain by allowing the user to slide over the bathtub without having to lift their legs.

The SB2T TubBuddy Tilt can roll straight over most toilets and can also be used as a commode chair.



SB2T transfers over a bathtub in tilt mode without lifting the users legs



SB2T TubBuddy Tilt

For transfers over bathtubs



The tilt is 0-30 degrees,
infinite positioning.



Product features:

- Weight capacity - 160kg (350lb)
- Tilt angle 0 – 30 degrees, infinite positioning
- Rolls over most standard toilets
- Low maintenance
- Arms - removable / lockable / flip-back
- Height adjustable
- Safety mechanisms & side stabilizers on bath base
- Footrests - removable and swing-away
- Corrosion resistant Aluminum frame (Grade 6061 T6)
- Stainless steel parts and hardware (Grade 304)
- Safety belts - lap & chest belts plus calf strap
- Caster Wheels - 125mm (5") x 4 locking
- Commode system
- Neck rest, fully adjustable
- Tool-free assembly
- Full details see page 31-36

Accessory items: Refer to the accessory pages or on our website

Product Dimensions:

- Rolling Base 490mm W x 840mm D (19.3" x 33")
- Rolling Base - including Footrest 490mm W x 1100mm D (19.3" x 43.3")
- Width – over arms 570mm (22.5")
- Width – Inside Arms 475mm (18.7") - smaller users see accessory pages
- Width - Inside Main legs 400mm (15.7")
- Back Width 460mm (18")
- Back Rest Height from Cushion 440mm (17")
- Toilet Height Clearance (maximum) 495mm (19.4")
- Toilet Clearance can depend upon the shape of the toilet pan
- Bridge Length (Standard) 300mm (11.8") (or Customized)
- Seat Cushion Dimensions 450 W x 420mm D (17.7" x 16.5")
- Seat Cushion Height from Floor 630mm to 730mm (Adjustable) (24.8" – 28.8" Adjustable)
- Seat Cushion Opening 175mm W x 335mm D (6.8" x 13")
- Tub Base (at top) 330mm L x 480mm W (13" x 19")
- Tub Base (at bottom of legs) 735mm L x 335mm W (29" x 13.2")
- Tub Base (side stabilizers) 425mm W – 720mm W (16.7" – 28.3")

SB3T Roll-InBuddy Tilt

For roll in showers

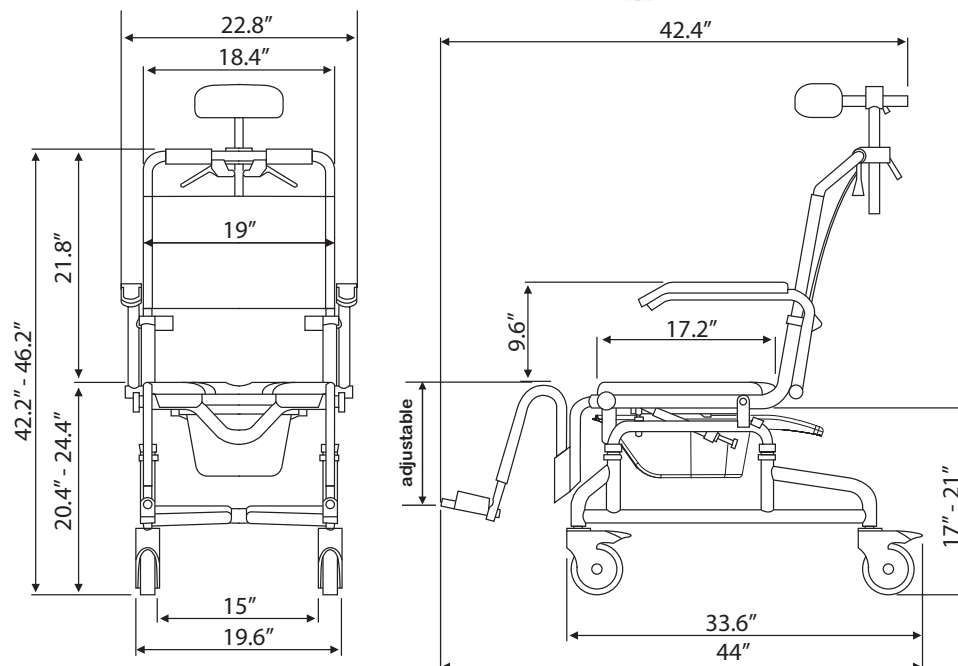
The SB3T mobile shower chair from Showerbuddy is perfect for accessible or roll-in showers. It can roll straight over most toilets and into the shower, reducing manual handling and transfers for caregivers and can also be used as a commode chair.

The tilt function releases pressure for the user and improves comfort and well-being. The SB3T shower chair with tilt incorporates the same safety features and corrosion-resistant materials standard to all Showerbuddy products.

The SB3T Roll-InBuddy Tilt is lightweight, durable and easy to use with a lifetime warranty on the frame.



For accessible showers



SB3T Roll-InBuddy Tilt

For roll in showers



The tilt is 0-30 degrees,
infinite positioning.



Product features:

- Weight capacity - 160kg (350lb)
- Tilt angle 0 – 30 degrees, infinite positioning
- Rolls over most standard toilets
- Low maintenance
- Arms - removable / lockable / flip-back
- Height adjustable
- Safety mechanisms
- Footrests - removable and swing away, height adjustable
- Corrosion resistant Aluminum frame (Grade 6061 T6)
- Stainless steel parts and hardware (Grade 304)
- Safety belts - lap & chest belts plus calf strap
- Caster Wheels - 125mm (5") x 4 locking
- Commode system
- Neck rest, fully adjustable
- Tool-free assembly
- Full details see page 31-36

Accessory items: Refer to the accessory pages or on our website

Product Dimensions:

- Length including footrests 1100mm (43.3")
- Length without Footrests 840mm (33")
- Width – over arms 570mm (22.5")
- Width – Inside Arms 475mm (18.7") - smaller users see accessory pages
- Width - Inside Main legs 400mm (15.7")
- Back Width 460mm (18")
- Back Rest Height from Cushion 440mm (17")
- Toilet Height Clearance (maximum) 525mm (20.7")
- Toilet clearance can depend upon the shape of the toilet pan
- Seat Cushion Dimensions 450 W x 420mm D (17.7" x 16.5")
- Seat Cushion Height from Floor 510mm to 610mm (Adjustable) (20" – 24" Adjustable)
- Seat Cushion Opening 175mm W x 335mm L (6.8" x 13")

* To clear some toilets, the chair may need to be raised from the lowest setting. The struts, which control the tilting function, may restrict the maximum toilet clearance on some toilet types to 465mm (18.3")